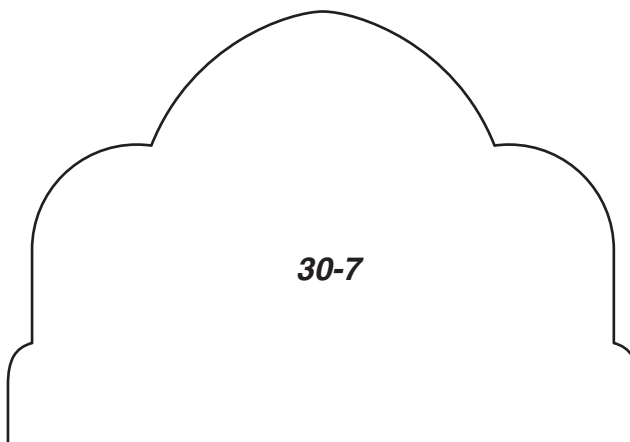
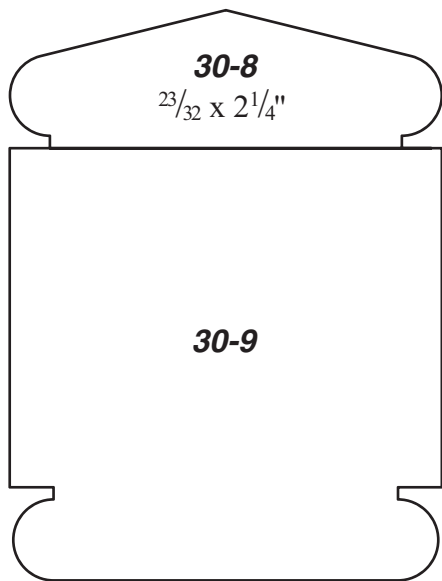


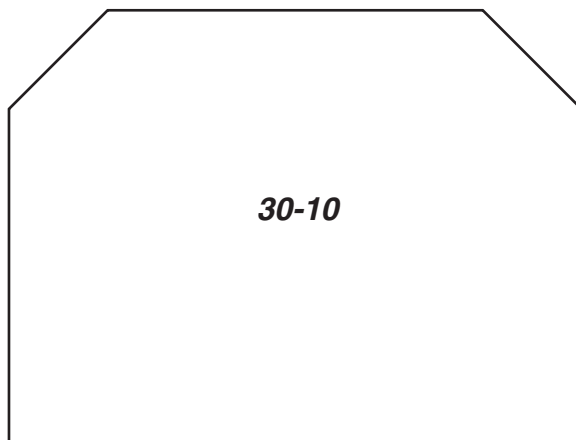
$\frac{1}{2} \times 2\frac{1}{4}$ "



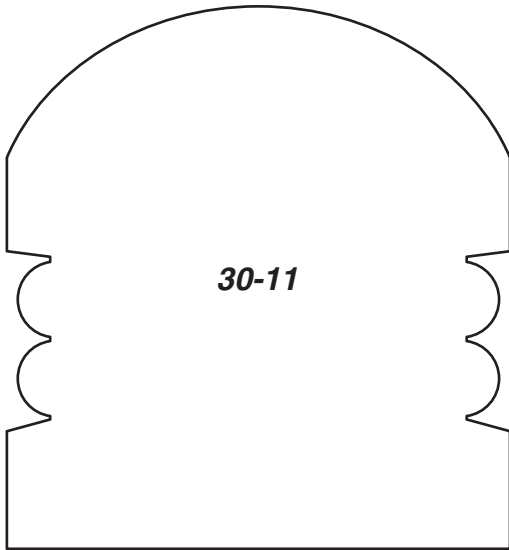
$2\frac{1}{4} \times 3\frac{9}{32}$ "



$2\frac{1}{4} \times 2\frac{1}{4}$ "

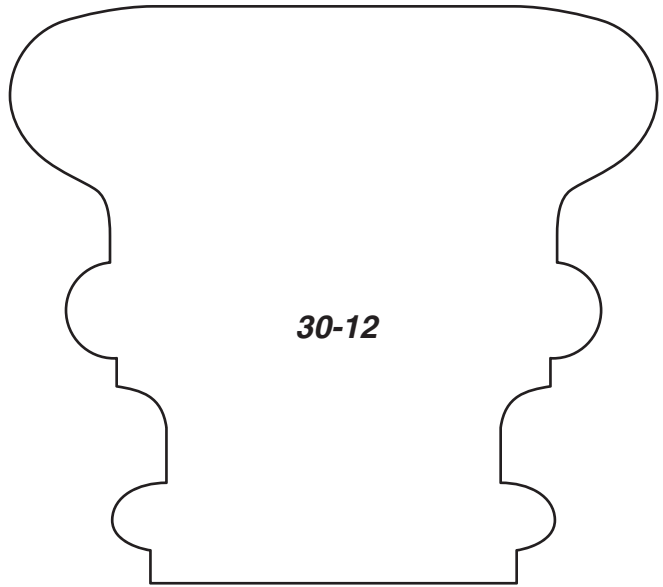


$2\frac{1}{4} \times 3$ "



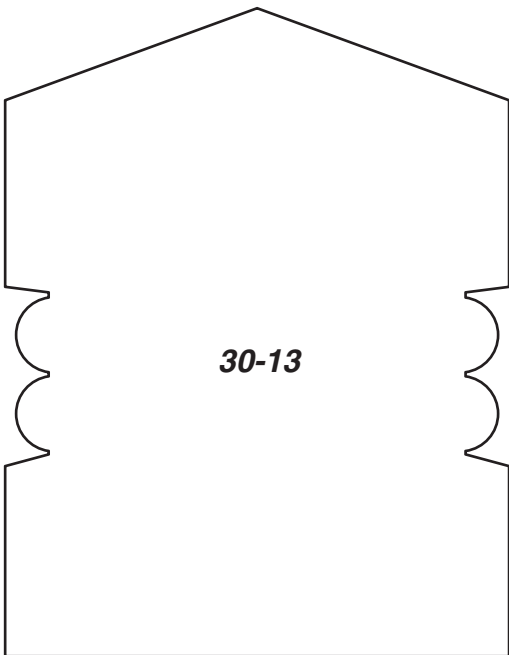
30-11

$2\frac{5}{8} \times 2\frac{13}{16}$ "



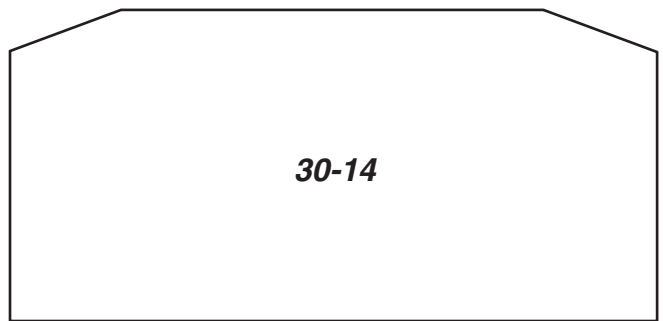
30-12

$3 \times 3\frac{3}{8}$ "



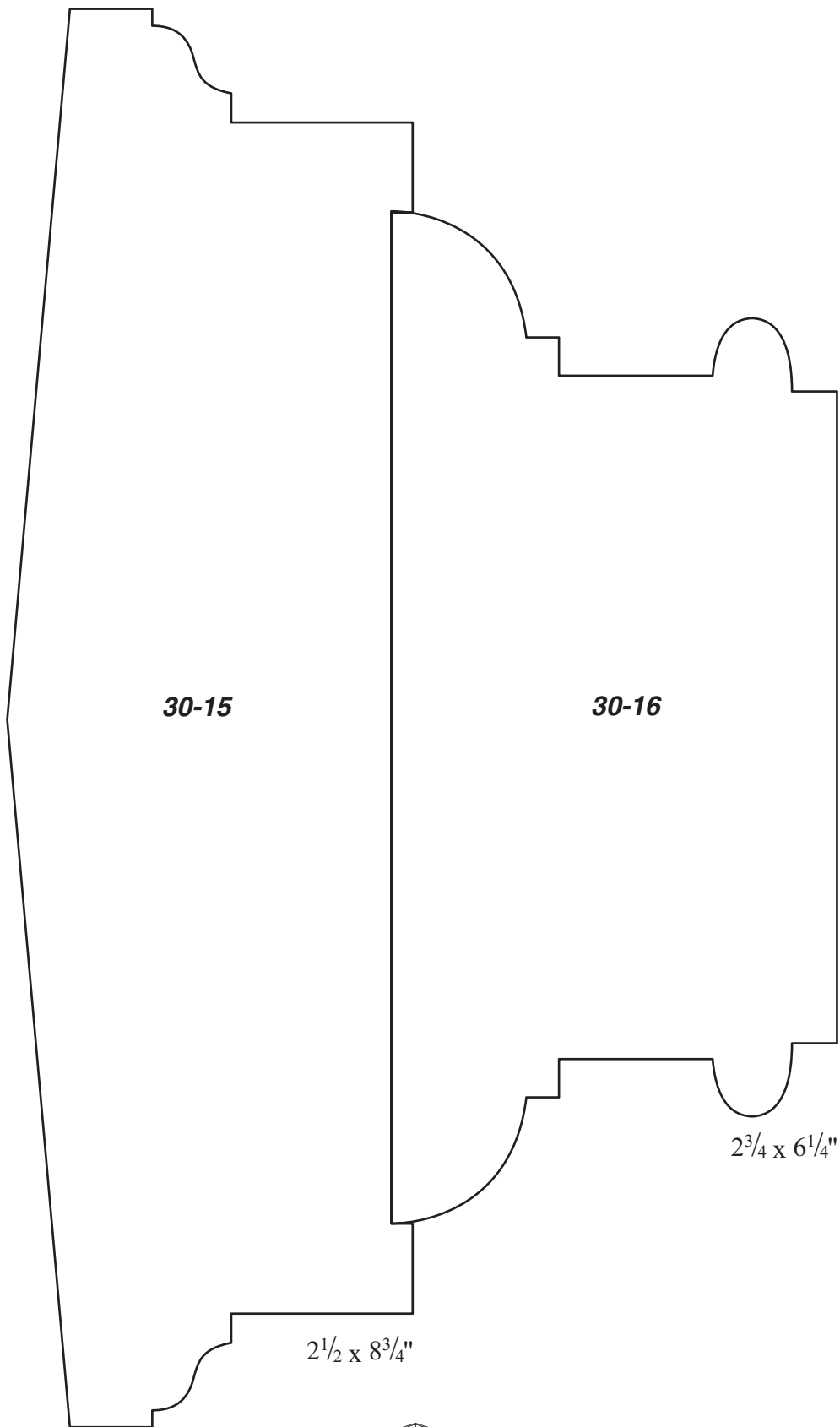
30-13

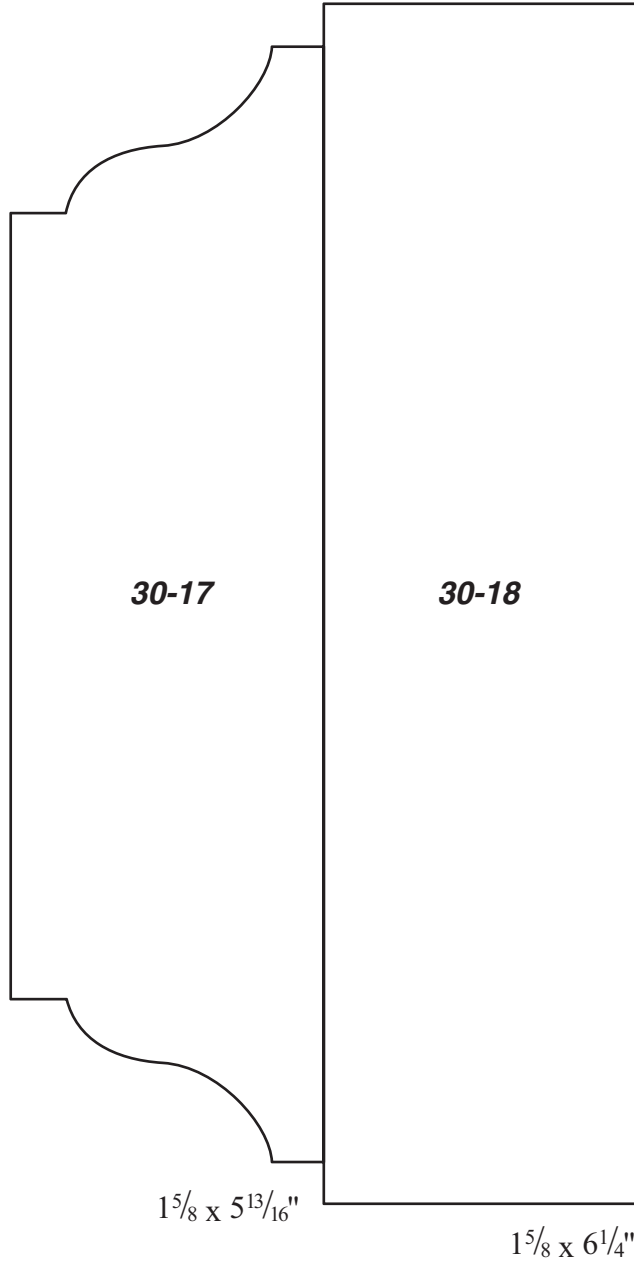
$2\frac{5}{8} \times 3\frac{3}{8}$ "

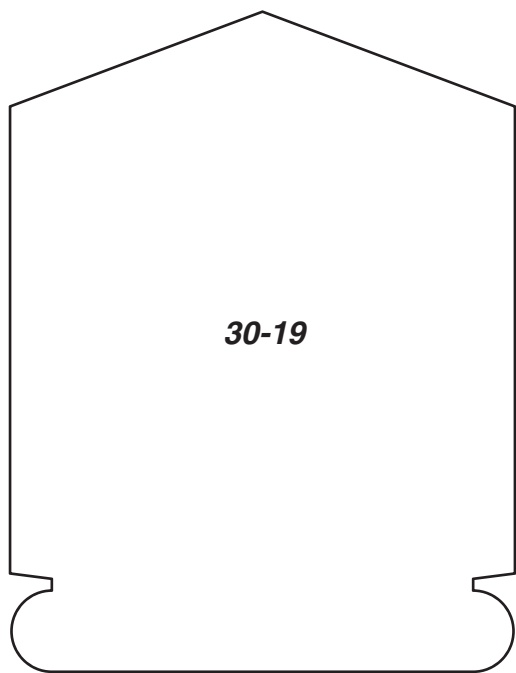


30-14

$1\frac{5}{8} \times 3\frac{3}{8}$ "

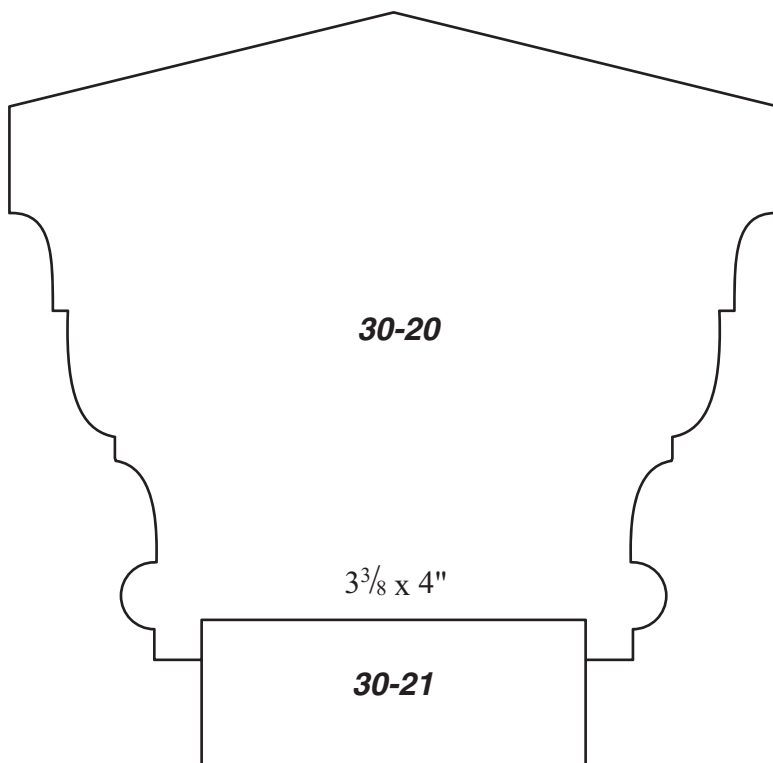






30-19

$3\frac{7}{16} \times 2\frac{5}{8}$ "

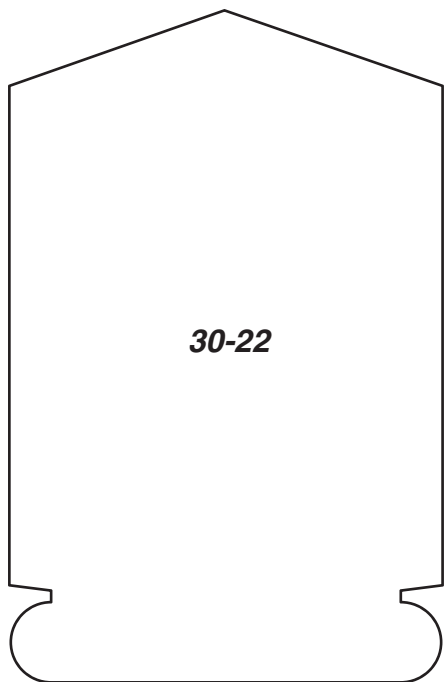


30-20

$3\frac{3}{8} \times 4$ "

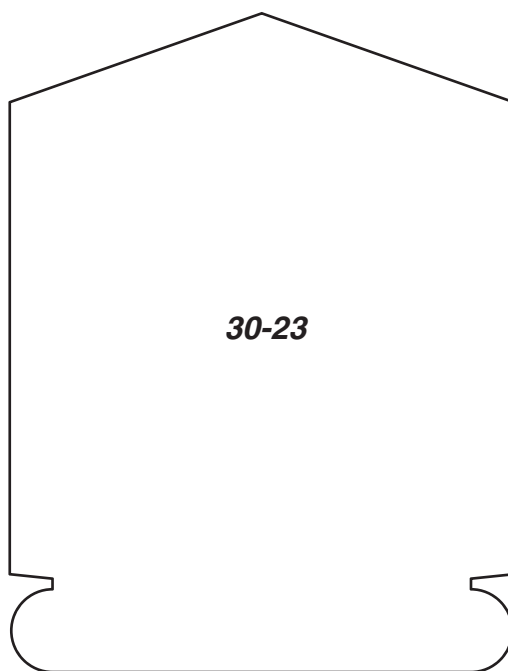
30-21

$\frac{3}{4} \times 2$ "



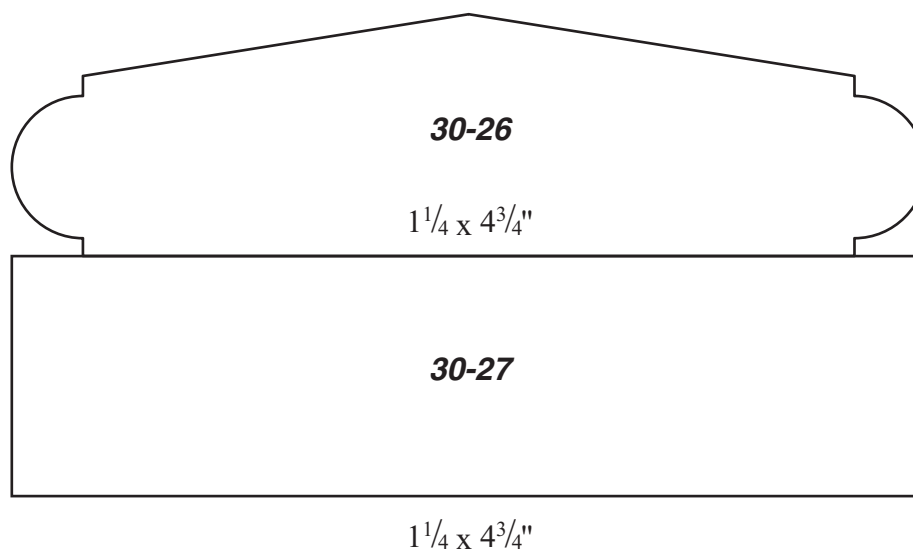
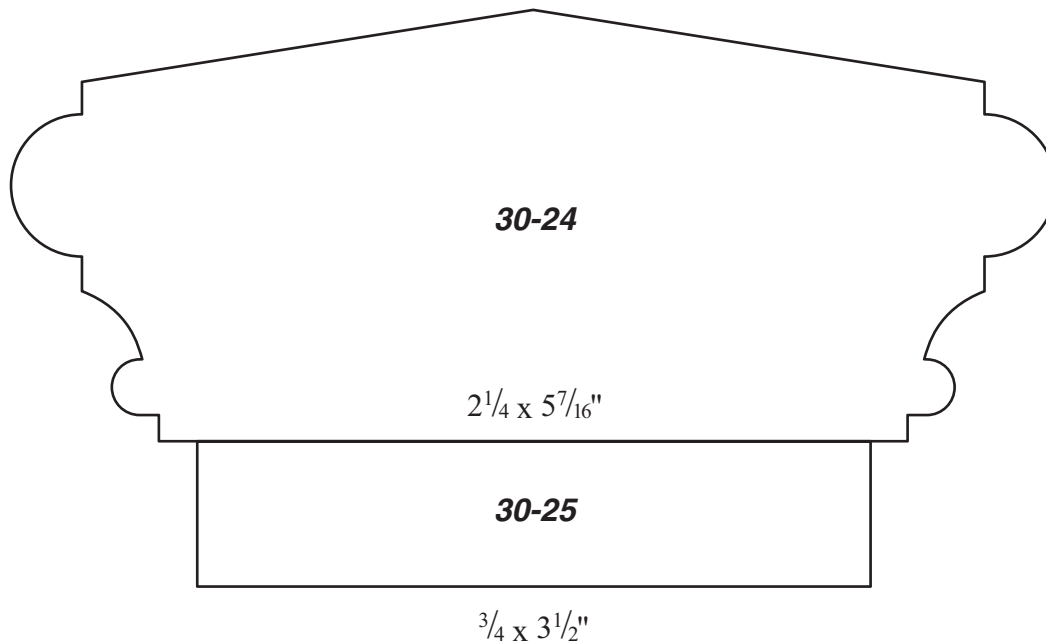
30-22

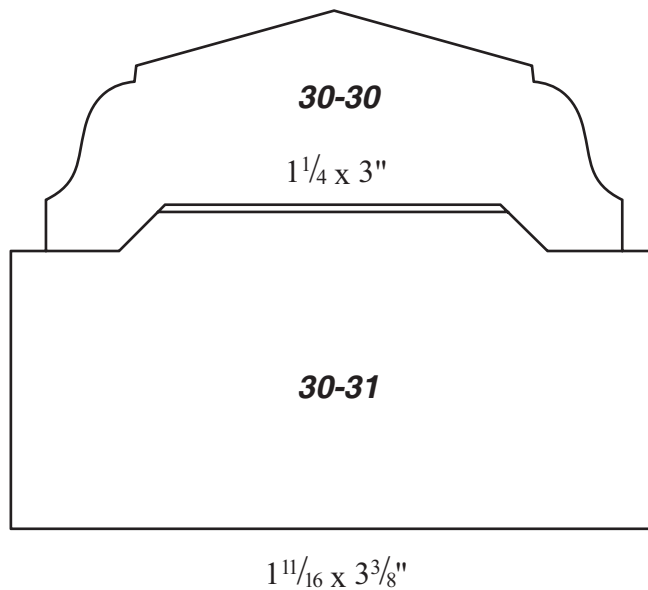
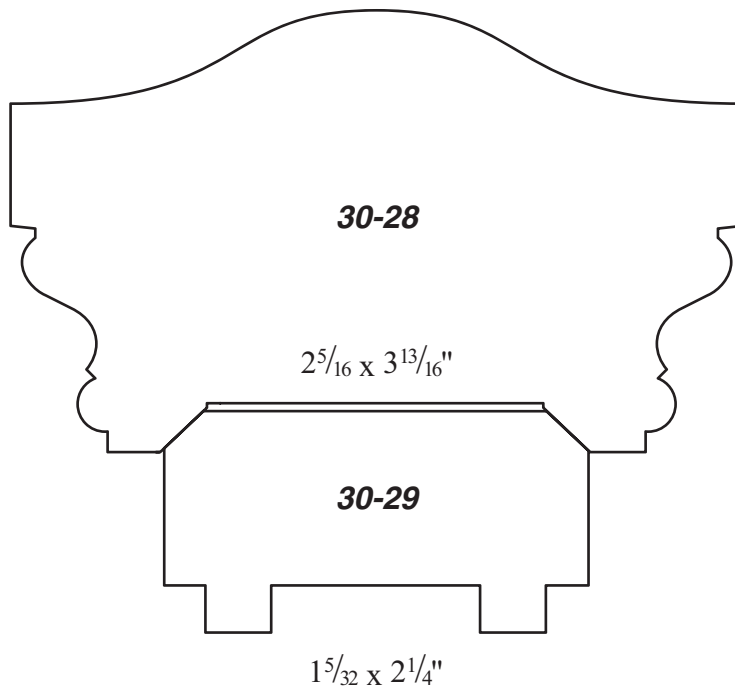
$3\frac{1}{2} \times 2\frac{1}{4}$ "

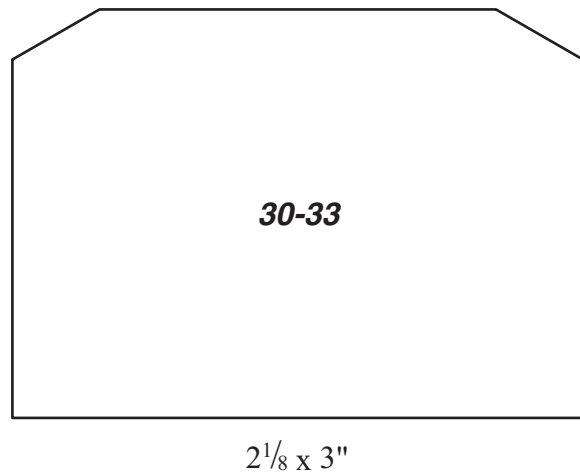
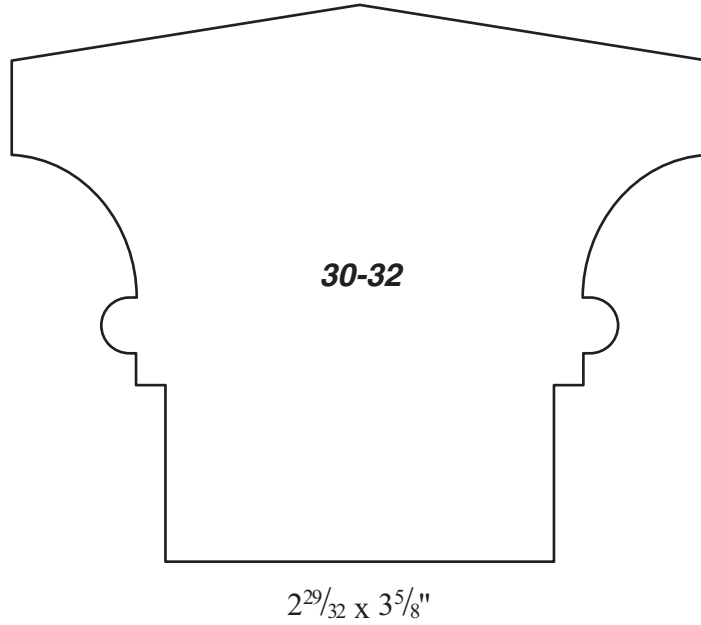


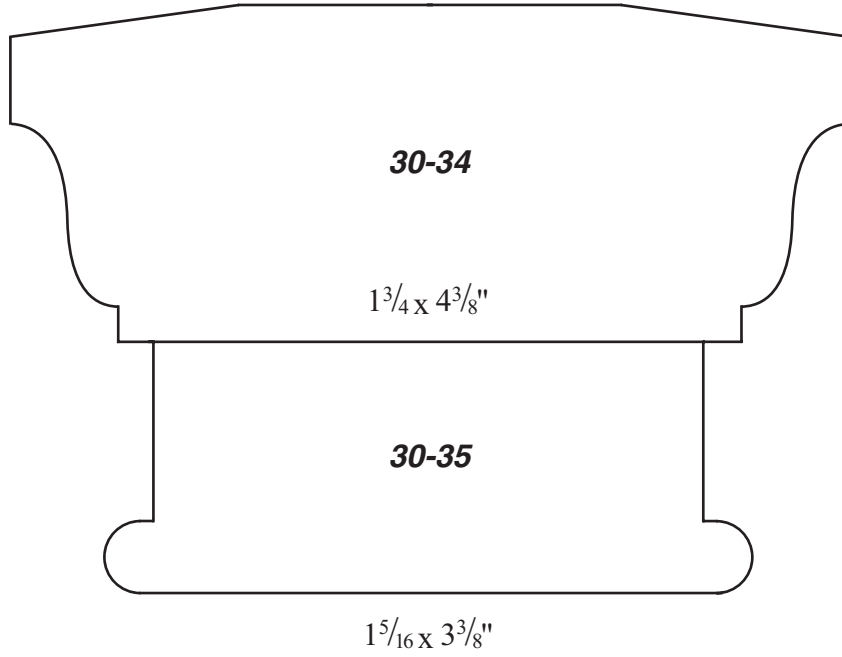
30-23

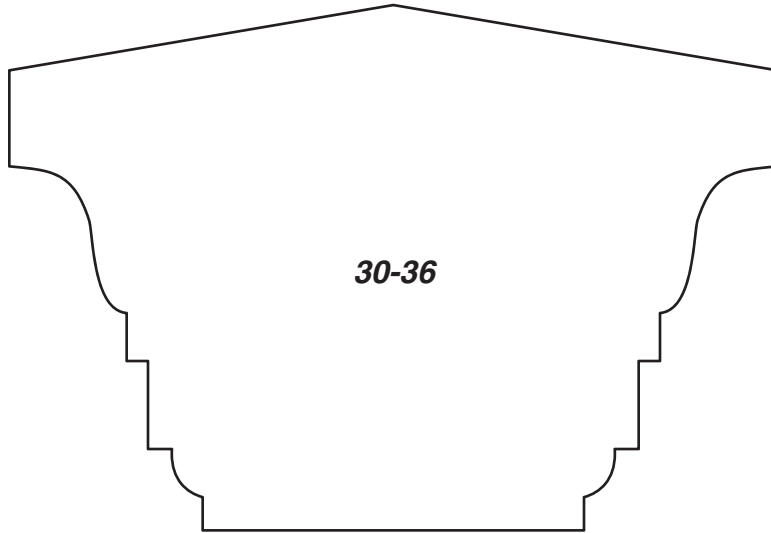
$2\frac{5}{8} \times 3\frac{7}{16}$ "





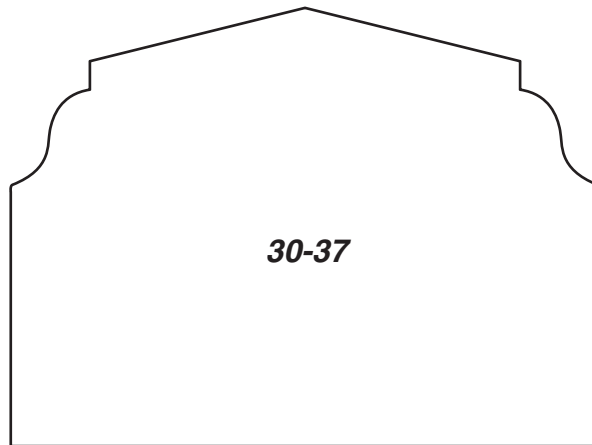






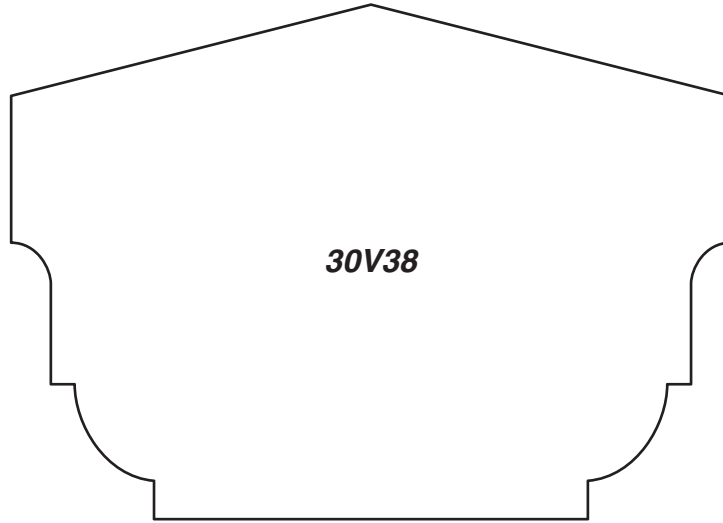
30-36

$2\frac{3}{4} \times 4"$



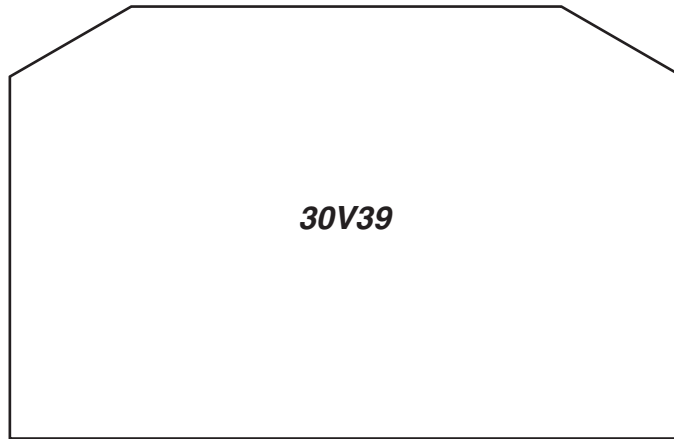
30-37

$2\frac{9}{32} \times 3\frac{1}{16}"$



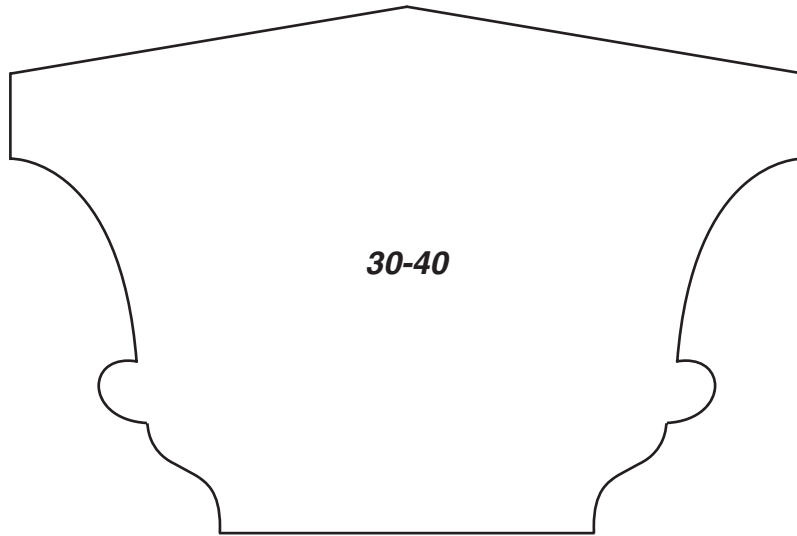
30V38

$2\frac{11}{16} \times 3\frac{3}{4}$ "

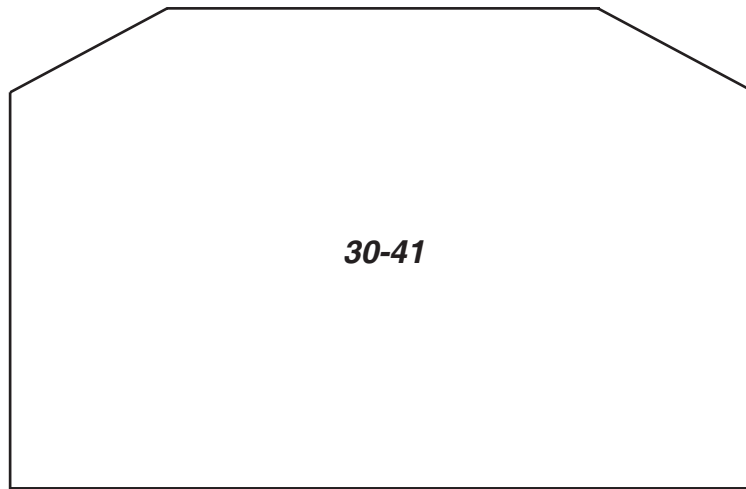


30V39

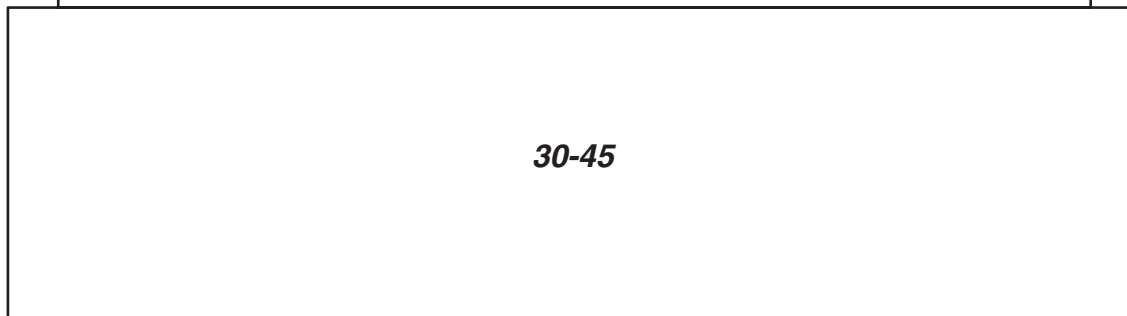
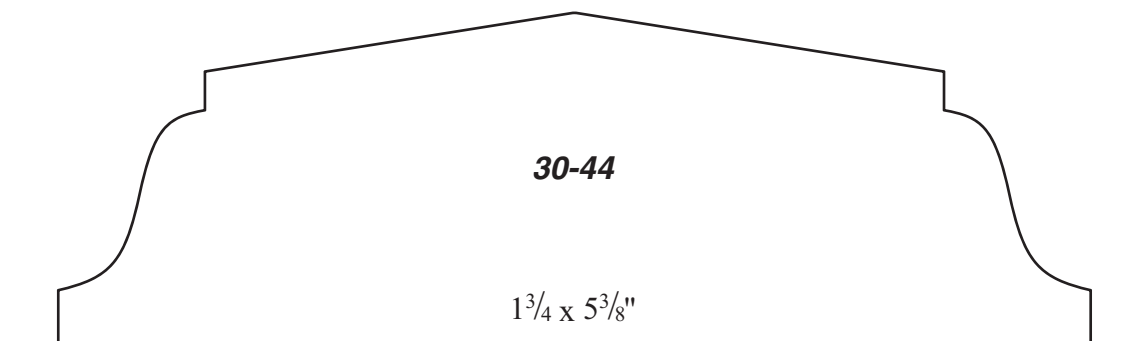
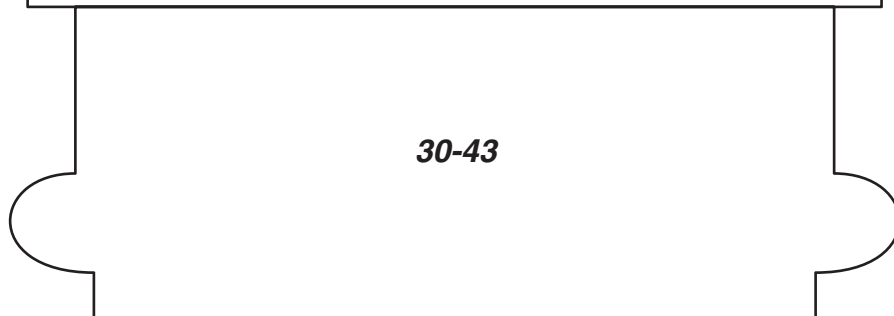
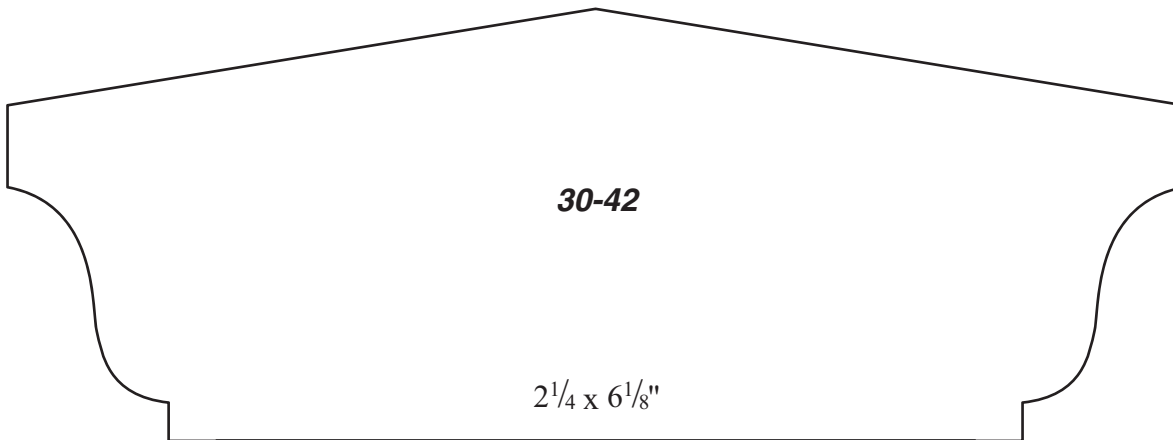
$2\frac{1}{4} \times 3\frac{1}{2}$ "

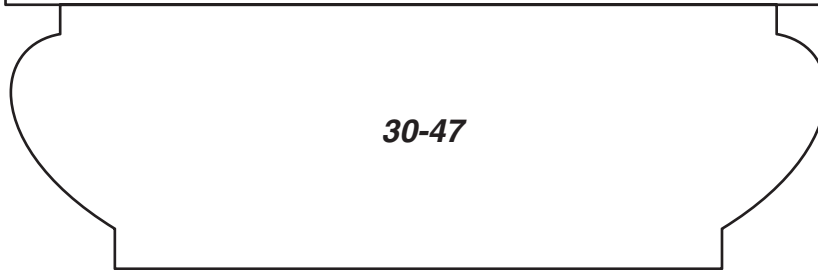
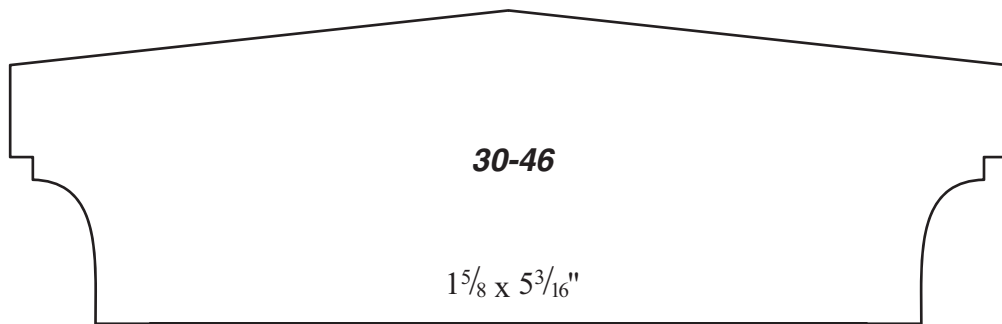


$2\frac{3}{4} \times 4\frac{1}{8}$ "

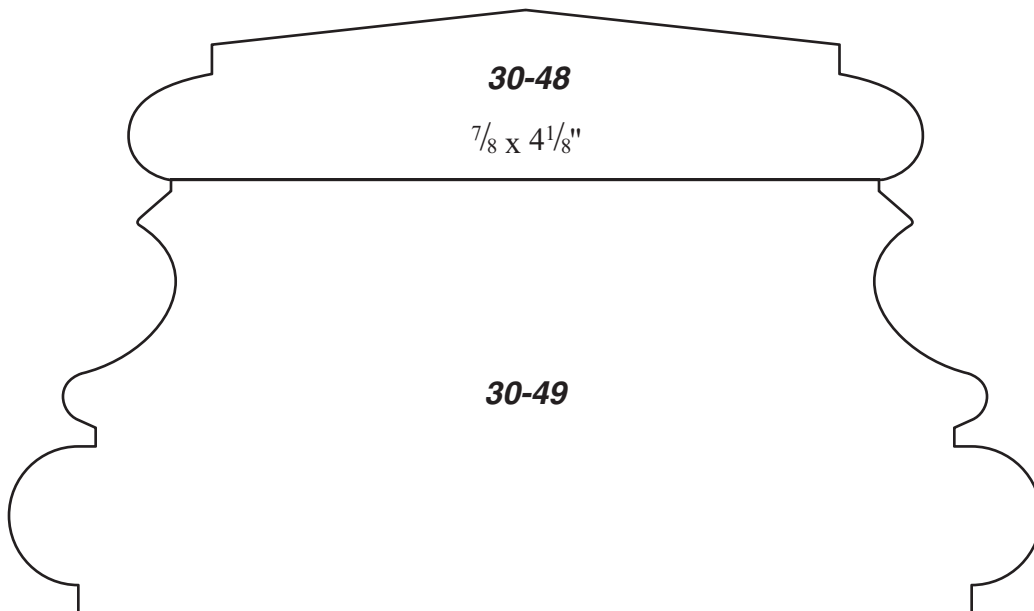


$2\frac{1}{2} \times 3\frac{7}{8}$ "

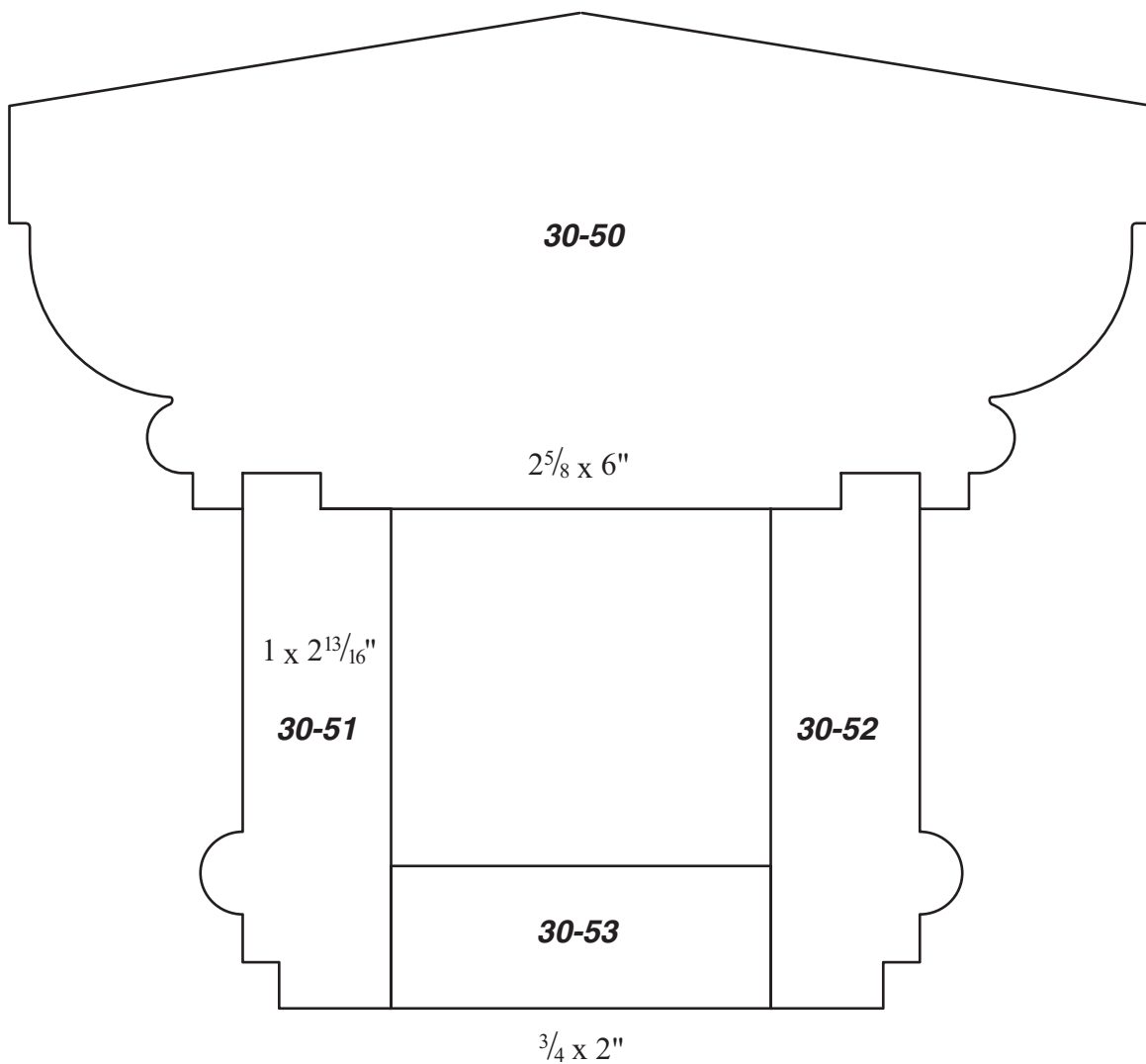


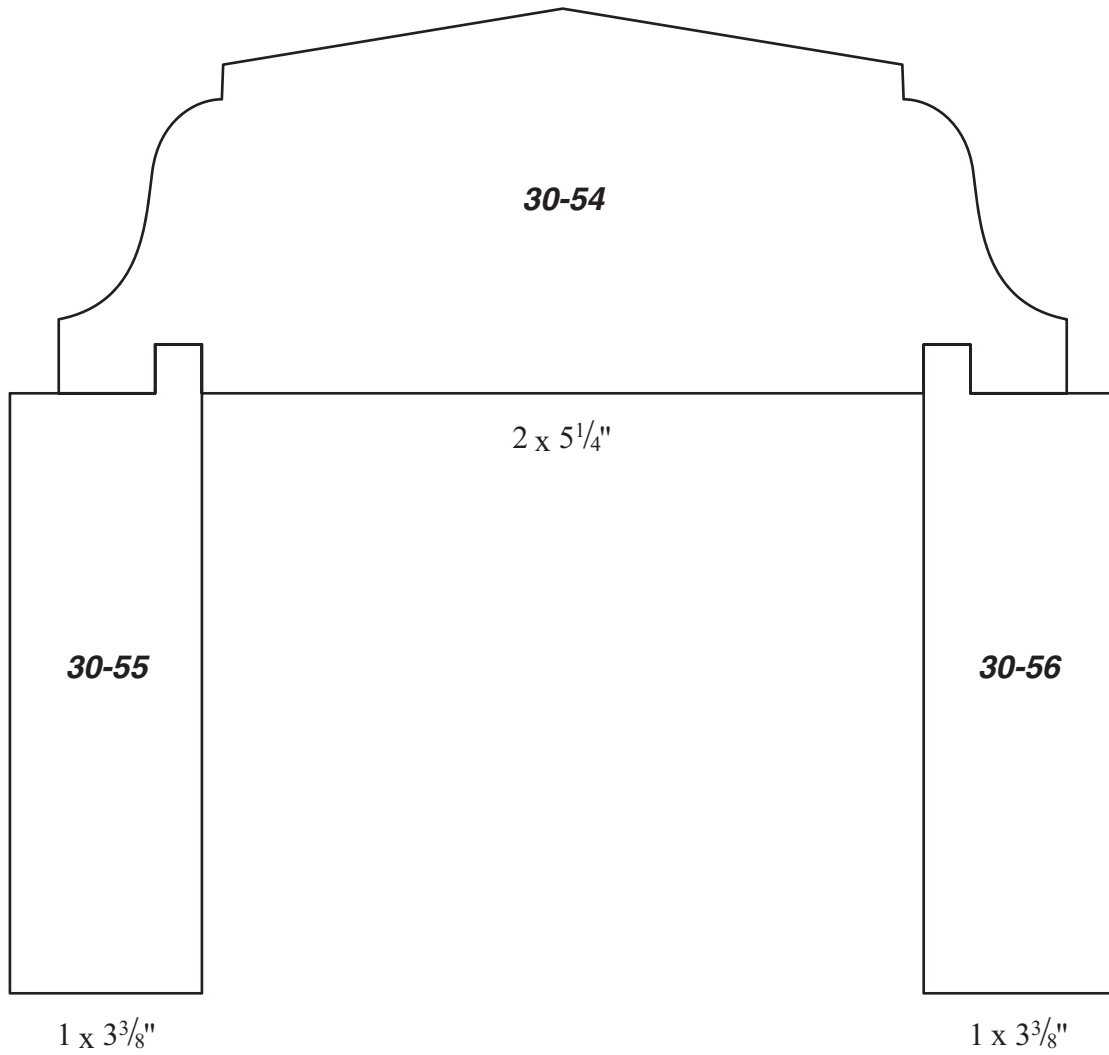


$1\frac{3}{8} \times 4\frac{1}{4}$ "

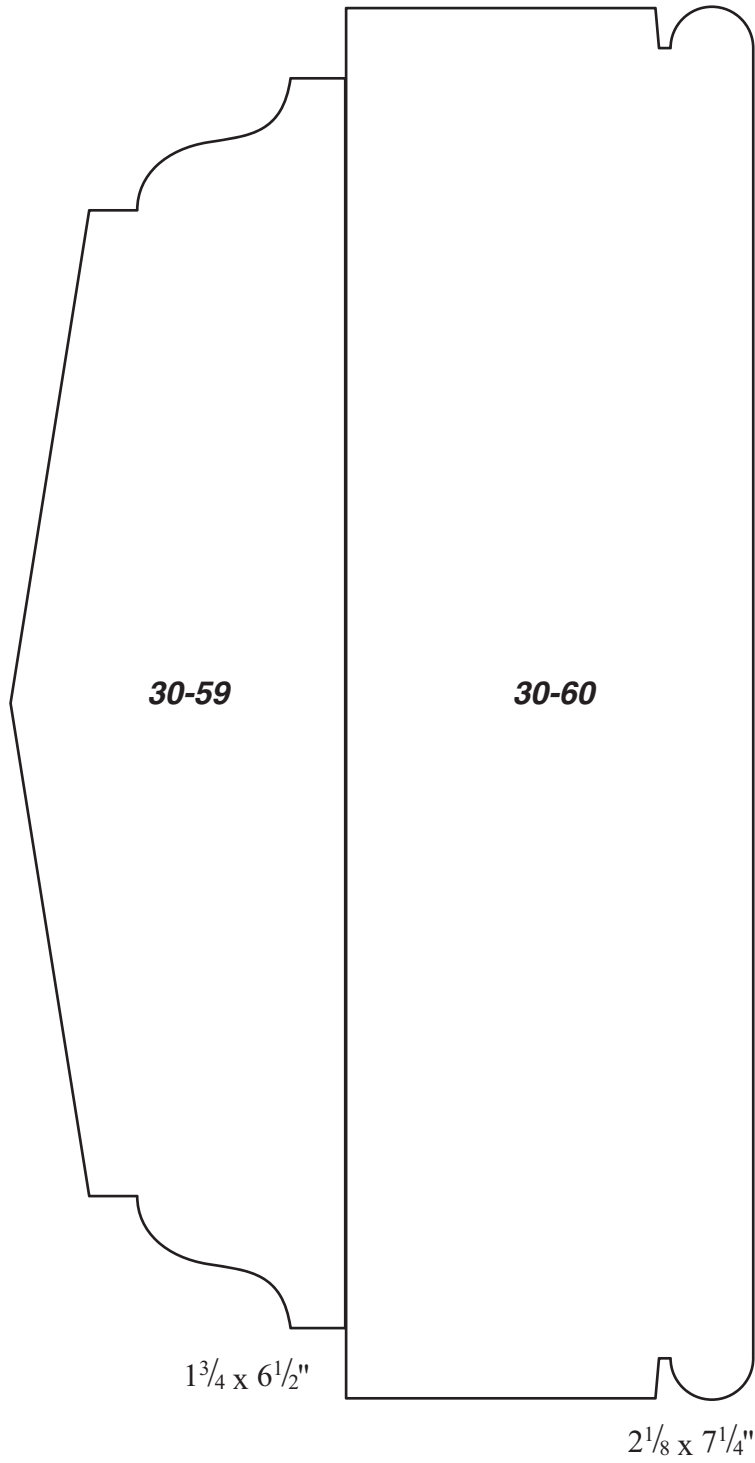


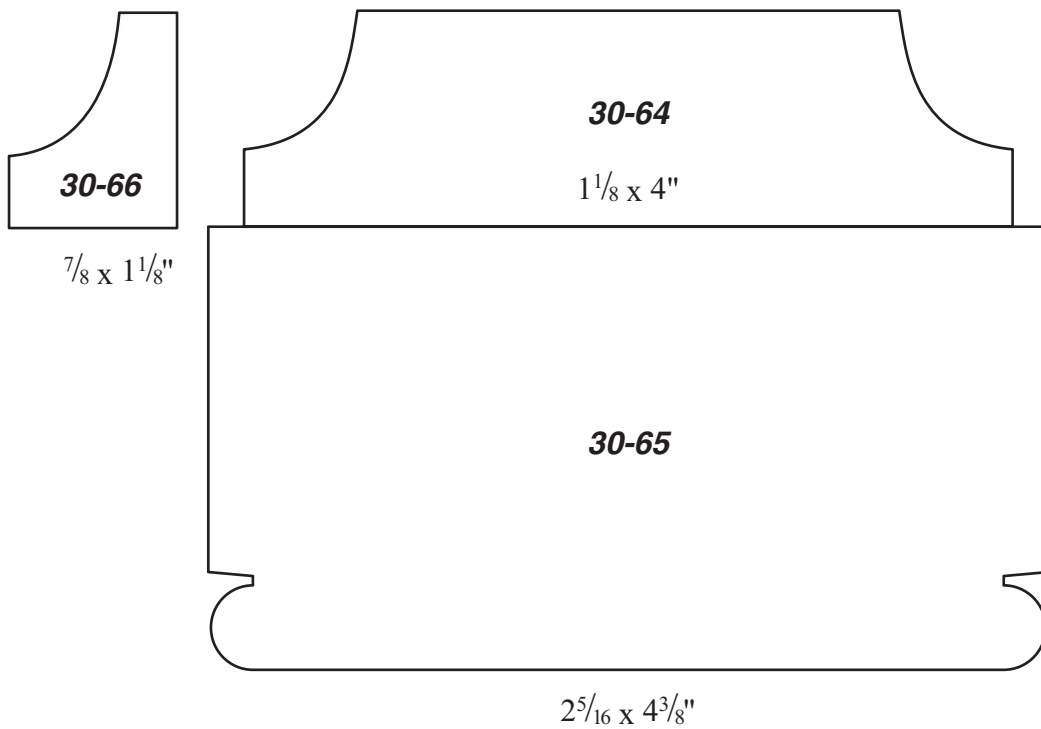
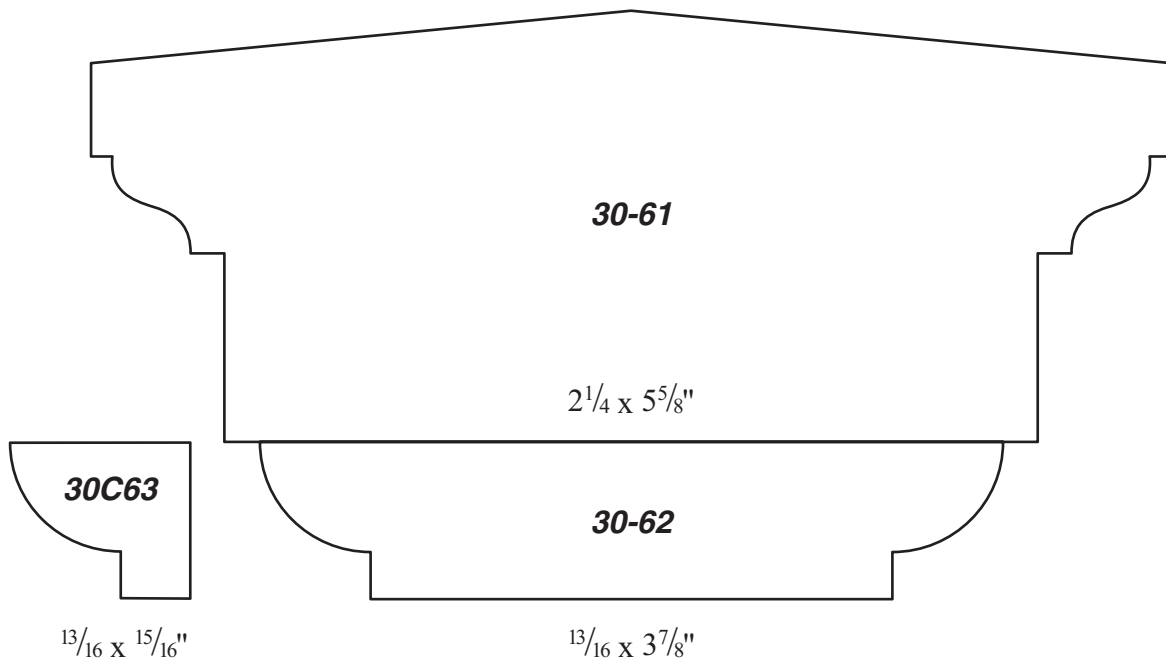
$2\frac{1}{4} \times 5\frac{3}{8}$ "

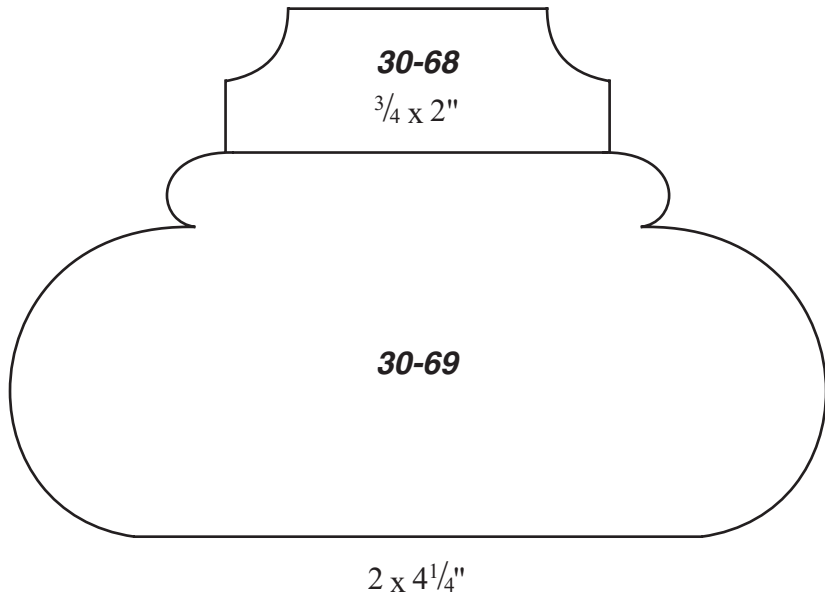
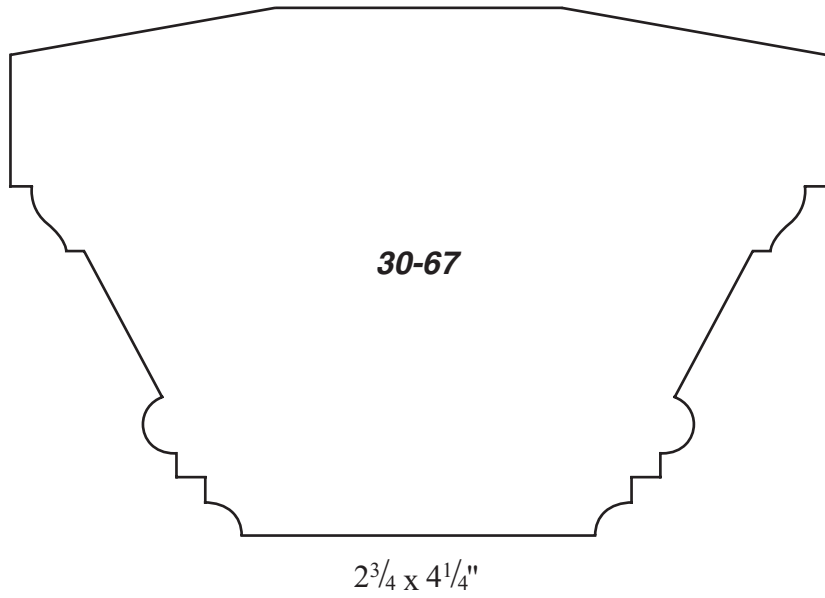


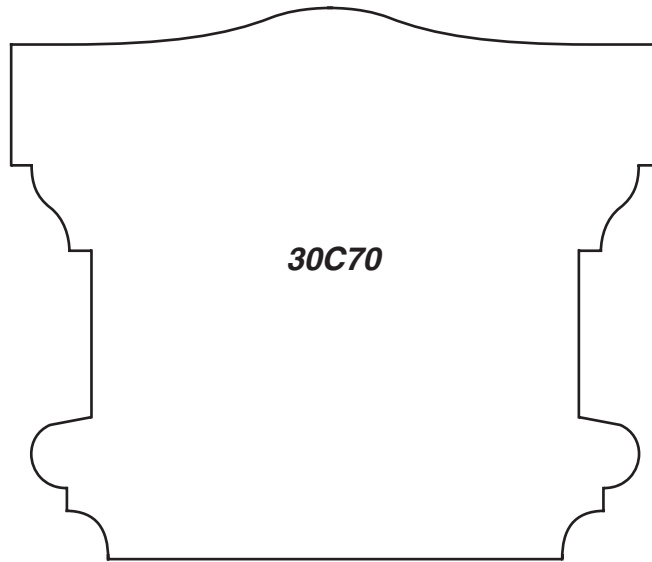






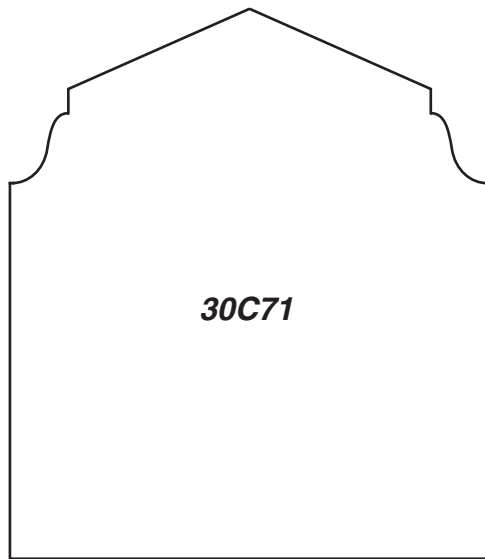






30C70

$2\frac{7}{8} \times 3\frac{3}{8}$ "

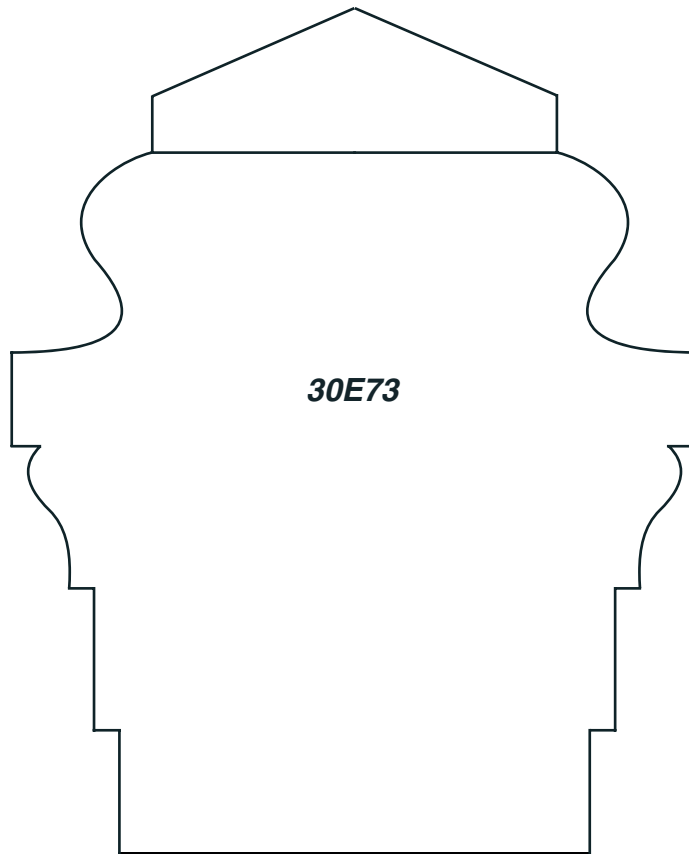


30C71

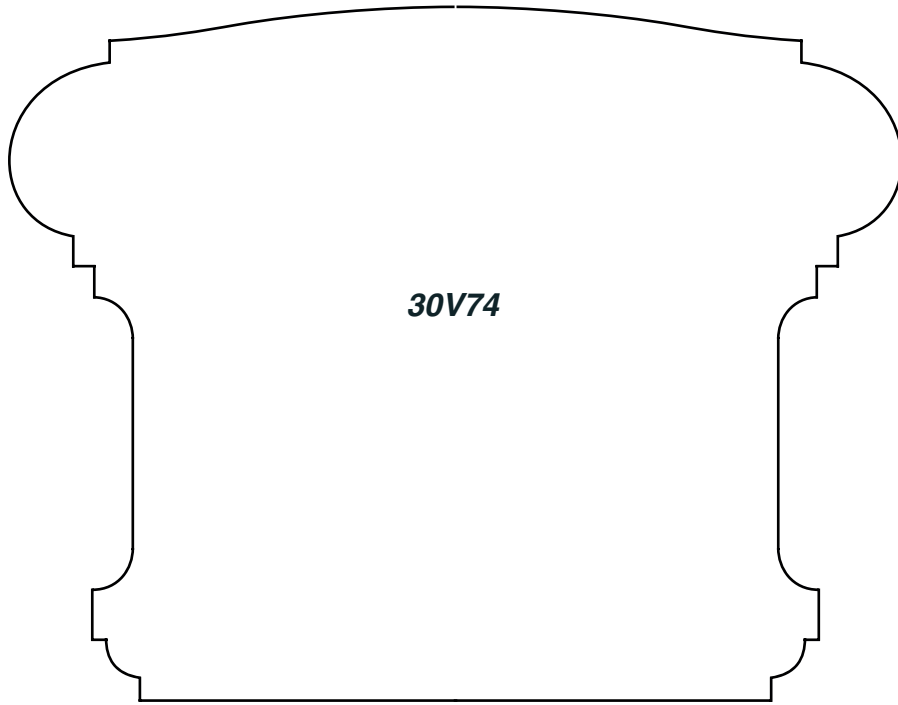
$2\frac{1}{2} \times 2\frac{7}{8}$ "



$1\frac{3}{4} \times 2\frac{3}{4}$ "

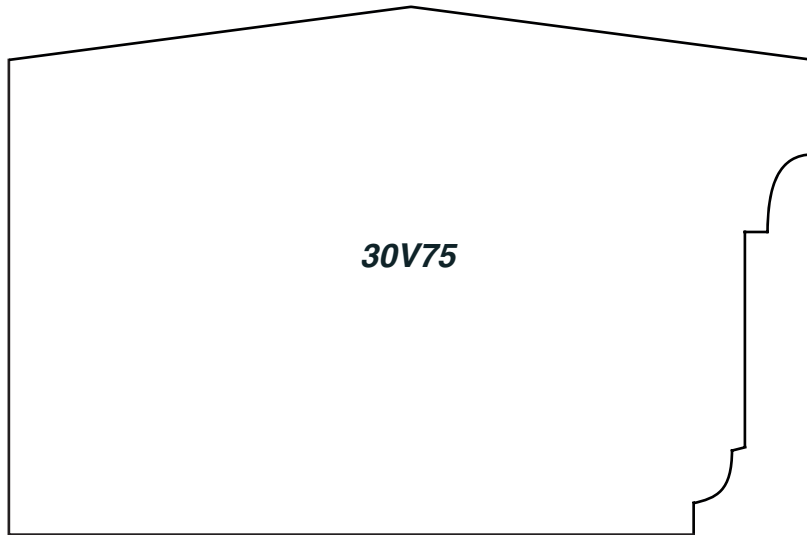


$3\frac{9}{16} \times 4\frac{13}{32}$ "



30V74

$3\frac{5}{8} \times 4\frac{11}{16}$ "



30V75

$2\frac{3}{4} \times 4\frac{3}{16}$ "

